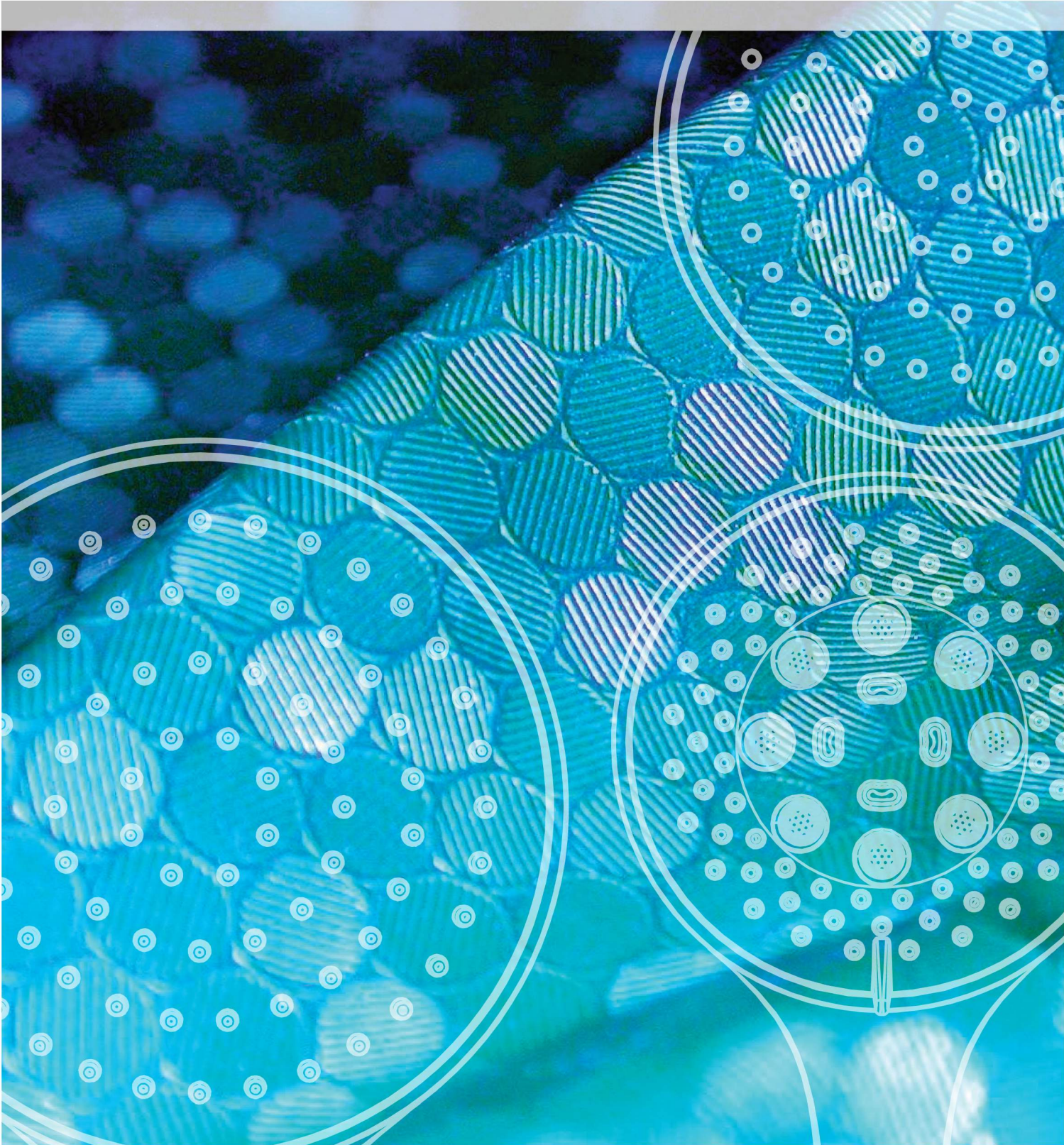
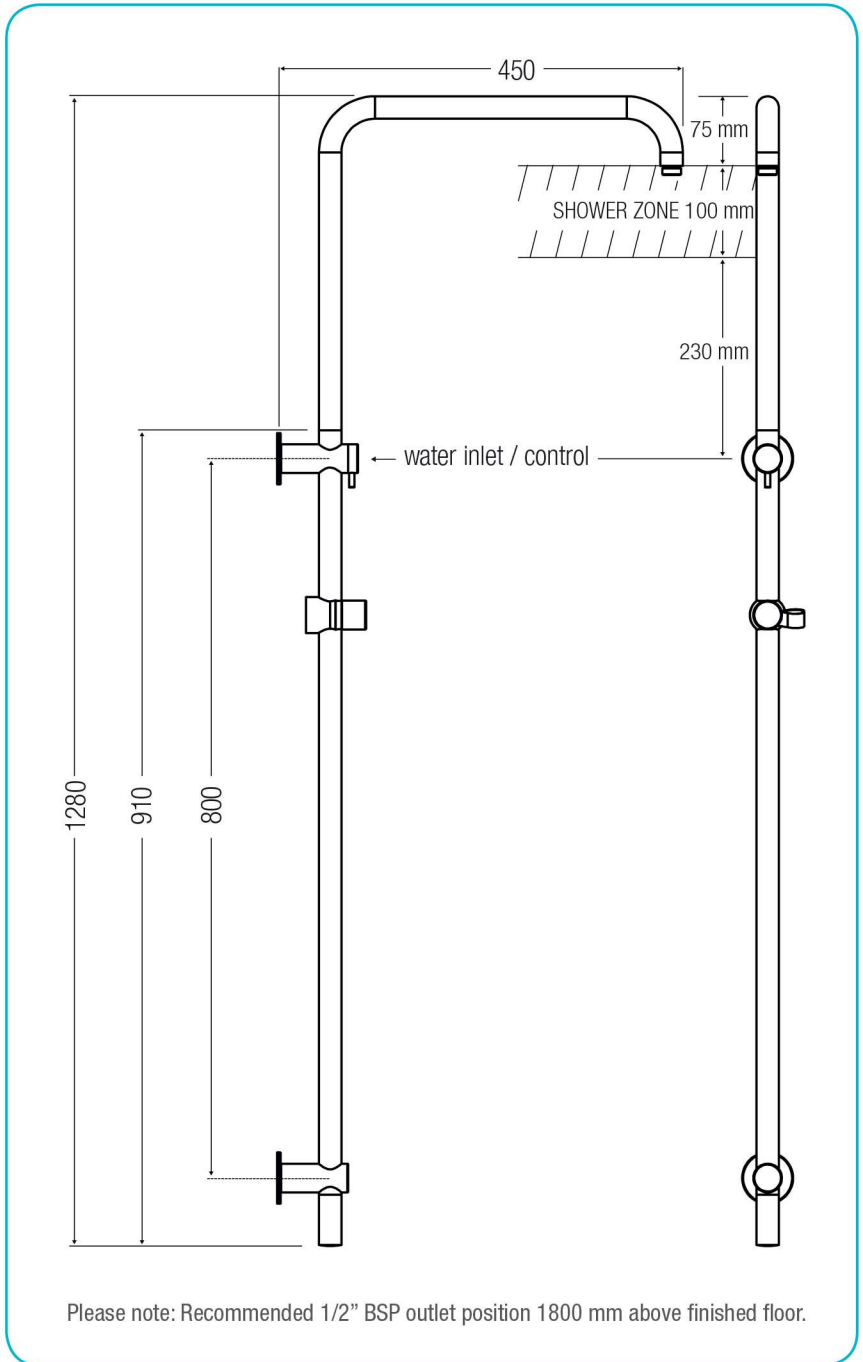


Streamjet™ collection



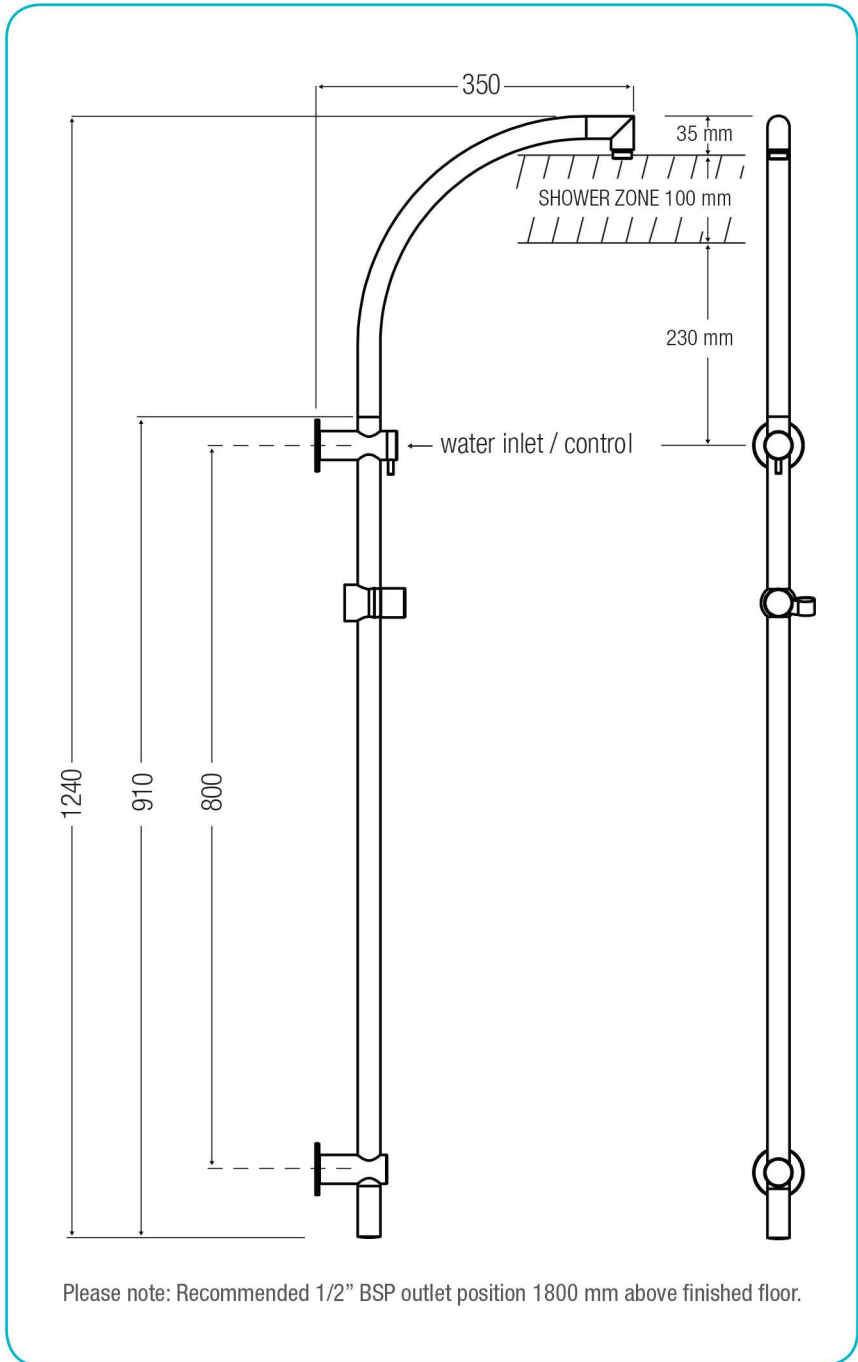


TW 029CX C
Cosmic Streamjet™ XL
Chrome





TW 025CT C
Cosmic Streamjet™ Turbo
Chrome



Traditional



Turbo Pulsator



Extra Large (XL)



LF 900J C
Linear Streamjet™
Chrome



HS 020X C
Streamjet™ XL
Chrome



OH 006D C
Streamjet™
Chrome

Streamjet™ collection

Introducing Con-Serv's exclusive Streamjet™ shower collection, where minimalist beauty and high performance combine to create a selection of contemporary showers for complete rejuvenation.

Available in three designs, the 100mm Traditional style offers a concentric single pattern jet spray; the Extra Large (XL) with 130mm diffuser produces a generous rain-like pattern spray; and the 100mm Turbo Pulsator offers multiple functions, from soft zone to pulsating action which provides hydrotherapy treatment for health and wellbeing. All Streamjet™ models feature rub-clean spray diffusers for easy maintenance and continued performance.

Select from the Con-Serv range of Twin Water combinations, handheld or overhead showers to create your customised showering environment.

3 Star – 9L/min rated as per WELS licence number 0046.



OH 008G C
Streamjet™ XL
Chrome



HS 011T C
Streamjet™ Turbo
Chrome



Protecting the world's most valuable liquid asset... water!



Our Promise

Con-Serv Corporation Australia Pty Ltd warrants all products to be free from manufacturing defects for 5 years from date of purchase. Con-Serv will repair or replace defective items if defects occur in normal use. Con-Serv will not be liable for defects arising through normal wear and tear. Item(s) must be returned with proof of purchase to Con-Serv at 17 Glentanna Street, Kedron, Queensland 4031. We will attend to your warranty claim after we make appropriate investigations. Contact our Service Manager during normal office hours on 1300 467 322 or at our email address of warranty@con-serv.com.au. If a warranty claim is accepted, Con-Serv will bear the reasonable costs of the return of the defective item(s) to us. A claim for expenses associated with making a claim for a defective product must be in writing and submitted to us with copies of supporting documents. The benefits given under our warranty are in addition to other rights and remedies of the customer under a law in relation to goods and services to which this warranty relates. Our goods come with guarantees that cannot be excluded under the Australian Consumer Law. You are entitled to a replacement or a refund for a major failure and compensation for any other reasonable foreseeable loss or damage. You are also entitled to have the goods repaired or replaced if the goods fail to be of acceptable quality and the failure does not amount to a major failure.

CON-SERV CORPORATION AUSTRALIA PTY. LTD
17 Glentanna Street, Kedron · Brisbane Qld. 4031 Australia
Phone: +61 (0)7 3630 5744 · Fax: +61 (0)7 3630 5755
Email: mail@con-serv.com.au · www.con-serv.com.au