



# AS 1428.1:2021 Update

The AS 1428.1 is a building standard for **Design for access and mobility** prepared by the Australian Standards Committee. In June, 2021 a revised Standard was released. A copy of the new Standard is available at [saiglobal.com](http://saiglobal.com)

As a specialist in the manufacture and supply of healthcare bathroom fittings, Con-Serv have reviewed the 2021 Standards and summarised relevant updates where Con-Serv have a solution to assist in meeting the new requirements.

## Backrest: Section 12.2.4 (g)

In the revised standard, section 12.2.4 (g) states *“The backrest shall – in an accessible sole-occupancy unit, be capable of being removed and refitted.”*

This will apply to any accessible WC in a residential type setting such as a 1B group home, boarding houses, hotels, motels or a Class 9C Aged Care facility that require an accessible sole occupancy unit.

To fulfill this requirement, Con-Serv has developed the Hideaway™ Mounting System which allows for installed Hygienic Seal® backrests to be removed, stored and then re-installed.

The Hideaway™ Mounting System comprises of Blank End Flanges that utilise the same wall mount plates used to install Hygienic Seal® grab rails. The installer simply removes the grab rail, leaving the wall mount plate in place, and covering with the blank end flange until it's needed again. Visit [www.con-serv.com.au/hideaway](http://www.con-serv.com.au/hideaway) for more information.



BR 404 HS PS R4 Hygienic Seal® Backrest with removal kit

Removable Backrest kit:

- BR 404 HS PS** Backrest with Hideaway™ System
- BR 444 HS PS** Backrest with 400mm extension and Hideaway™ System

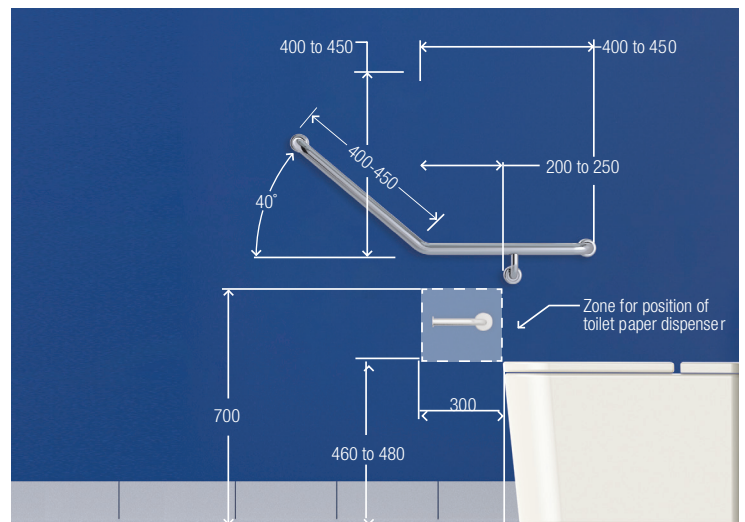
## Sanitary compartment for people with ambulant disabilities: Section 13.2 Grab Rails

Section 13.2 has been updated stating *“Grabrails shall be continuous and consist of a horizontal section plus either a vertical section or an upward angled section”.*

In reference to this section, the upward angled section has changed from a measurement of 700mm minimum, to a measurement of 400mm to 450mm with an angle of either 30° to 45° (upward angled section) or 90° (vertical section).

To meet this requirement, Con-Serv recommend installing ambulant grab rails that are 450mm x 450mm with a 40° bend; or 450mm x 450mm with a 90° bend.

Con-Serv's HS 045 (40° bend) and HS 454 (90° bend) ambulant grab rails meet this requirement.



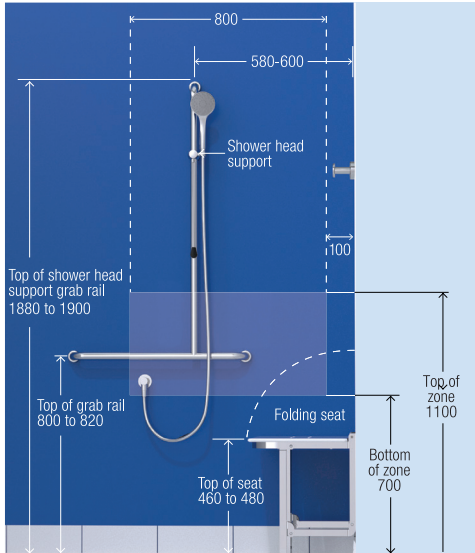
HS 045 PS RH Hygienic Seal® 40° Ambulant Grab Rail - Right Hand

Ambulant Grab Rails:

- HS 045 PS LH/RH** 450mm x 450mm, 40° Ambulant Grab Rail
- HS 454 PS LH/RH** 450mm x 450mm, 90° Ambulant Grab Rail

## Showers: Section 12.5.1

The previous shower connection measurement has now been changed to a connection zone. The hose connection is permitted within a larger zone measuring 700mm to 1100mm above the finished floor level and 100mm to 800mm from the corner of the wall ensuring the location does not interfere with the use of grab rails, taps, soap holder or shower seat.



Accessible ID Grab Rail Shower System:

**ID 01820 C LH/RH** 700mm x 1100mm grab rail shower kit with Push-PullMe® Shower positioning cradle with rod

## Backflow prevention device and restrictor device: Section 12.5.11 (Backflow Prevention)

A new section has been added into AS 1428.1:2021 which references backflow prevention and restrictor devices.

Section 12.5.11 states that *“unless the shower hose has a restrictor device preventing the shower head from resting on the floor or into the basin, a backflow prevention device will be required to prevent water contamination.”*

To meet this requirement, all Con-Serv hand showers are fitted as standard with dual check/non-return valves providing effective backflow prevention against water contamination for low hazard areas.

All Con-Serv dual check/non-return are licenced as per Watermark AS/NZS 2845.1 WMKA 02696.



LT 071CJ PS R45 Linear Twin Waters™ right hand grab rail shower with Streamjet™ handpiece; SS 964 PS Folding Shower Seat also shown.

## Backflow prevention device and restrictor device: Section 12.5.11 (Restrictor Device)

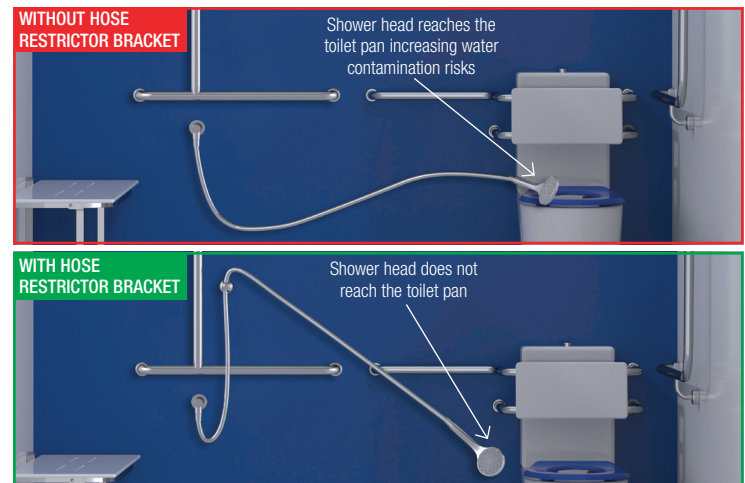
Section 12.5.11 advises that *“where it would be possible for the shower head to reach into the toilet pan then a restrictor device shall be fitted to prevent the hose reaching the toilet”;* and that the *“restrictor device shall be a proprietary item which restricts the movement of the shower hose and prevents the shower head from reaching into the toilet pan”*.

Con-Serv’s Hose Restrictor Bracket is a simple cost-effective solution that is easy to install and meets the requirements as outlined in AS 1428.1:2021.

The position of the Hose Restrictor Bracket is dependent on the proximity of the shower to the toilet pan. To install, simply position the bracket on the wall (with the hose inserted) and move until the handpiece no longer reaches the toilet pan. Once the location for installation has been determined, fix the Hose Restrictor Bracket to the wall.



HR 015 C Hose Restrictor Bracket shown with HF 071J C LF Shower Kit, SS 964 PS Folding Shower Seat, BR 440 PS HS Backrest, and HS 966 PS LH Ambulant Grab Rail.



Hose Restrictor Bracket:

- HR 015 C** Hose Restrictor Bracket, Chrome
- HR 015 MB** Hose Restrictor Bracket, Matte Black